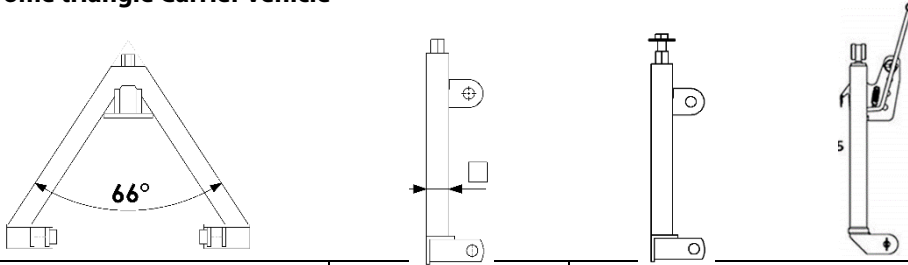


Attachment data sheet

Order number: _____

Carrier vehicle _____ Attachment _____ Front attachment Rear attachment

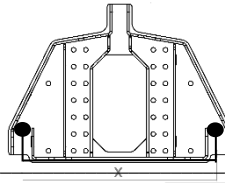
Dome triangle Carrier vehicle



Type:	Square pronie:	Interlock
Cat. Municipal	40 mm	Screw
Kat.0 / 1	60 mm	Locking bar

Three point linkage carrier vehicle

Kat.1N	X=440mm
Kat.1	X=720mm
Kat.2	X=870mm









PTO carrier vehicle

PTO shaft speed	Direction of rotation in driving direction	
	left	right
540		
1000		
2000		

PTO profile	
1 3/8" 6 teeth	1" 10 teeth
1 3/8" 21 teeth	1" 12 teeth
21x25x6 teeth	1" 14 teeth
	1" 15 teeth

Hydraulics attachment

Agricultural couplings		flat sealing and drip-free		Special couplings	
					
Sleeve	Plug	Sleeve	Plug	Sleeve	Plug
Push-Pull-Serie		Flat-Face A-Serie		Designation	
Sleeve Ø	Plug Ø	Sleeve Ø	Plug Ø	Sleeve Ø	Plug Ø
25,0mm BG1	11,8mm BG1	27,0mm BG1	16,2mm BG1	mm	mm
31,0mm BG2	17,2mm BG2	32,0mm BG2	19,7mm BG2		
38,0mm BG3	20,5mm BG3	38,0mm BG3	24,5mm BG3		

Deviating hydraulic couplings /Include plug with data sheet

Hose length from coupling point _____ mm Volume flow _____ l/min Pressure _____ bar

Electrics attachment



Plug 2-pole, 12 Volt	Plug 3-pole, 12 Volt	Plug 7-pole, 12 Volt
----------------------	----------------------	----------------------

Attention: Orders will be processed only after return of the completed form!

Date _____ Signature / Name _____