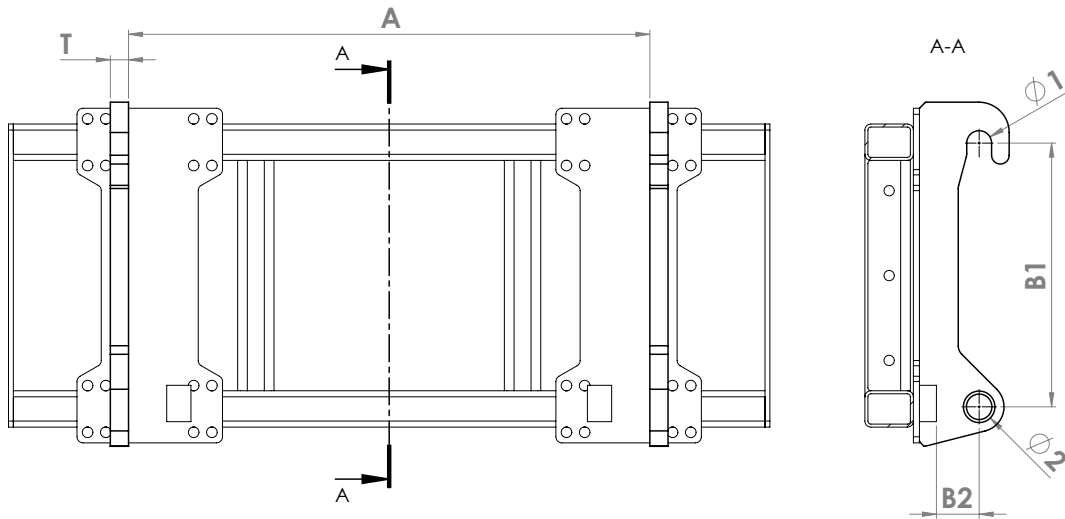


Data sheet alternate mount

Order number: _____







Carrier vehicle _____ Attachment _____



A:	_____ mm	T:	_____ mm
Ø1:	_____ mm	B1:	_____ mm
Ø2:	_____ mm	B2:	if available _____ mm

Deviating alternate mounting enclose with data sheet

Hydraulics attachment

Agricultural couplings		flat sealing and drip-free		Special couplings	
					
Sleeve	Plug	Sleeve	Plug	Sleeve	Plug
Push-Pull-Serie		Flat-Face A-Serie		Designation	
Sleeve Ø	Plug Ø	Sleeve Ø	Plug Ø	Sleeve Ø	Plug Ø
25,0mm BG1	11,8mm BG1	27,0mm BG1	16,2mm BG1	_____ mm	_____ mm
31,0mm BG2	17,2mm BG2	32,0mm BG2	19,7mm BG2		
38,0mm BG3	20,5mm BG3	38,0mm BG3	24,5mm BG3		

Deviating hydraulic couplings /Include plug with data sheet

Hose length from coupling point _____ mm

Volume flow _____ l/min

Pressure _____ bar

Electrics attachment



Plug 2-pole, 12 Volt	Plug 3-pole, 12 Volt	Plug 7-pole, 12 Volt
----------------------	----------------------	----------------------

Attention: Orders will be processed only after return of the completed form!

Date _____ Signature / Name _____