

Sweepers for small tractors

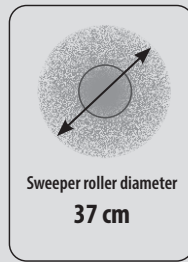
FKM 37

Hydraulically or mechanically driven

Sweeping roller versions

Combination sweeper roller (1), poly-corrugated wire sweeper roller (2), Dirt sweeper roller (3), Snow sweeper roller (4)

Working width
125 cm



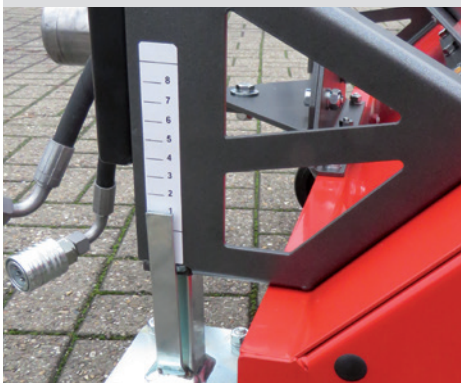
Other roller types possible for different applications



Impellers 135 x 40 mm



Internal Hydraulic motor



Stepless height adjustment of the sweeping roller



Narrow side drive

Stepless height adjustment of the sweeping roller

High quality powder coating



Different types of rollers for different applications

Maintenance-free bearing of the sweeping roller

Option: Practical parking supports for longer storage, so as not to damage the



Sweepers

Measurements FKM 12537 H-ABR 37 FKM 12537 M-ABR 37

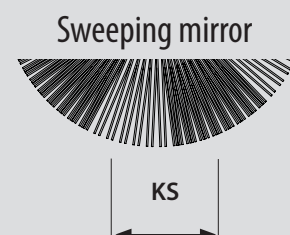
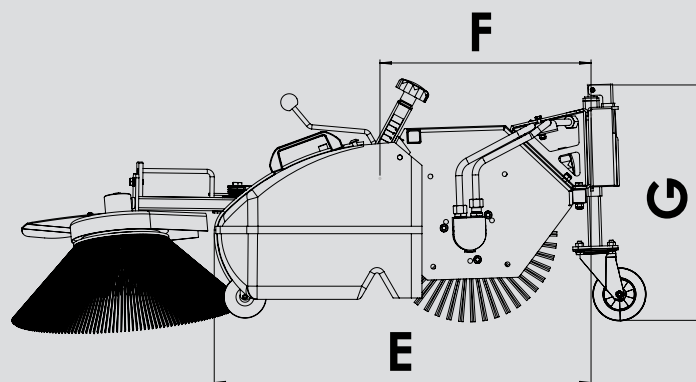
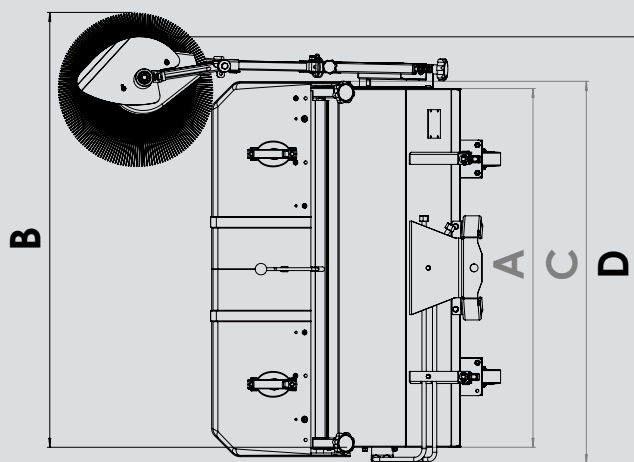
A: Working width straight without side brush [cm]	125	125
B: Working width straight with side brushes [cm]	147	147
Working width diagonal [cm]	110	110
C: Straight passage width without side brushes [cm]	133	133
D: Straight passage width with side brushes [cm]	145	145
E: Length including SSB without attachment frame [cm]	71	71
F: Length without SSB without attachment frame [cm]	40	40
G: Height without attachment frame [cm]	44	44
Brush diameter [cm]	37	37
Swivel angle [degrees]	30	30
Sweeping mirror [cm]	5-7	5-7

Weights

Basic unit [kg]	55	55
Collecting container [kg]	17	17
Side brushes [kg]	10	10

Volume

Collecting tank [ltr]	77	77
-----------------------	----	----



Item number	Description
FKM 12537 H-ABR 37 Working width 125 cm 	Sweeper 125 cm working width <ul style="list-style-type: none"> • Sweeping roller diameter 37 cm • Hydraulically driven • Combination sweeper roller included • Mechanically swivelling left and right • 2 height-adjustable running wheels 135 x 40 mm • Including parking support • Standard colour: RAL 2004 ABR 37 required
FKM 12537 M-ABR 37 Working width 125 cm 	Sweeper 125 cm working width <ul style="list-style-type: none"> • Sweeping roller diameter 37 cm • Mechanically driven • Combination sweeper roller included • Mechanically swivelling left and right • 2 height-adjustable running wheels 135 x 40 mm • Including parking support • Standard colour: RAL 2004 ABR 37 required
Attachment frame	
ABR 37 US-...	Quick Hitch Attachment frame*
ABR 37 KUB-B1	Attachment frame Kersten coupling triangle for Kubota B 1220 (only for hydraulically driven sweepers)
ABR 37 KUB-G 2326	Attachment frame Kersten coupling triangle for Kubota G23/ G26 (only for hydraulically driven sweepers)
ABR 37 KD-...	Attachment frame for dome-triangle mounting

* only for mechanical sweepers

Description	Compatible with sweeper	KM12537
<p>Rubber splash flaps</p> <ul style="list-style-type: none"> • Attachments included • Plug-in mounted 		<p>Item number</p> <p>GUSPL 125</p>
<p>Dirt collection container</p> <ul style="list-style-type: none"> • Made of PE plastic • 2 PUR swivel castors for exact adaptation to the ground • Height-adjustable holders • 2 handles • Rubber sealing lip on top • Single lever lock 		<p>Item number</p> <p>SSB 125 K</p>
<p>Side broom attachment - 40 cm working width</p> <ul style="list-style-type: none"> • Mechanically driven via broom shaft • Height and angle adjustable • Start-up safety device • Broom folds to the side • For sweepers with 32 or 37 cm Roller diameter 		<p>Item number</p> <p>ASM 403237</p>
<p>Side broom attachment - 40 cm working width</p> <ul style="list-style-type: none"> • Hydraulically driven <p>For further description see art. no.: ASM 403237</p>		<p>Item number</p> <p>ASH 403237</p>
<p>Supports for FKM</p> <p>Sweeping roller diameter 37 cm</p> <ul style="list-style-type: none"> • With castors • For easy mounting and dismounting • For storage 		<p>Item number</p> <p>AST 37 LR</p>